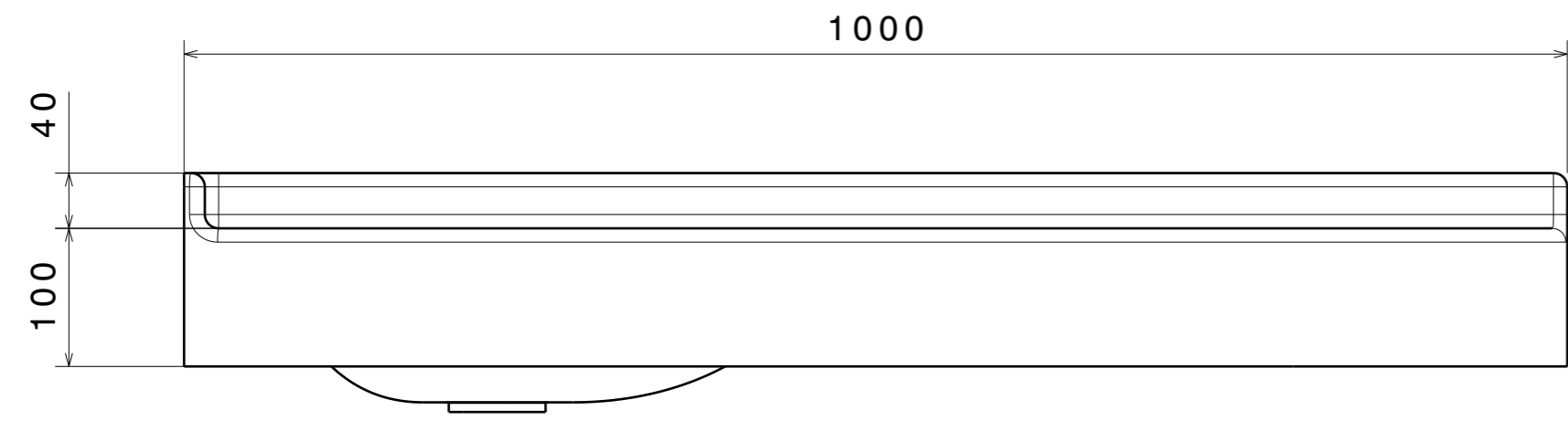
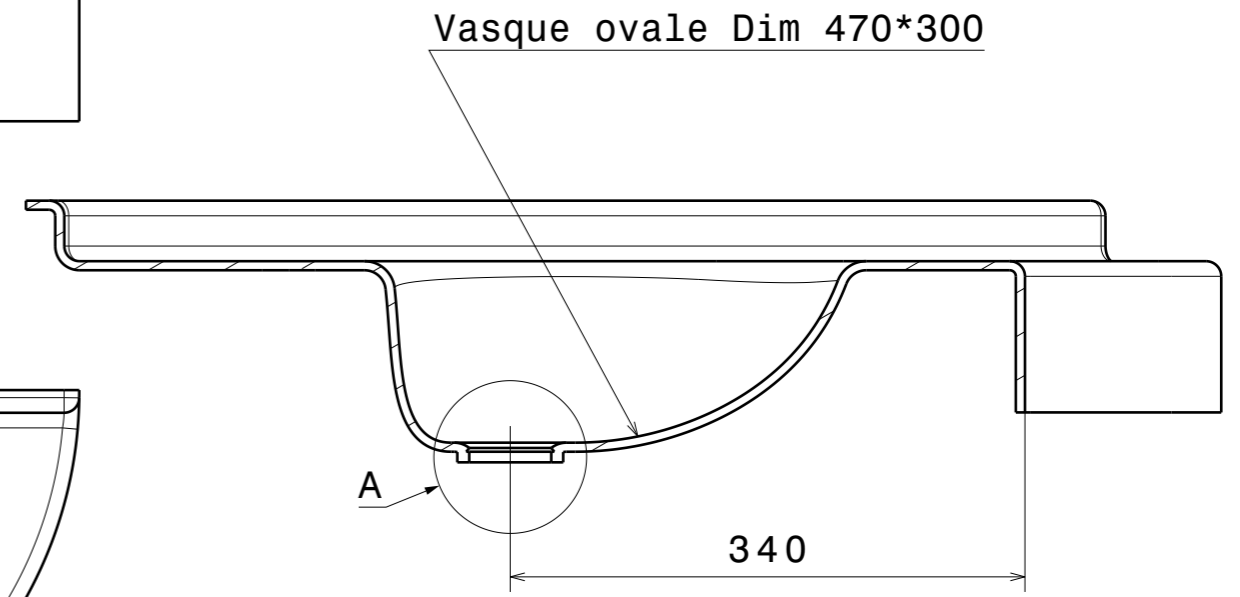


H G F E D C B A

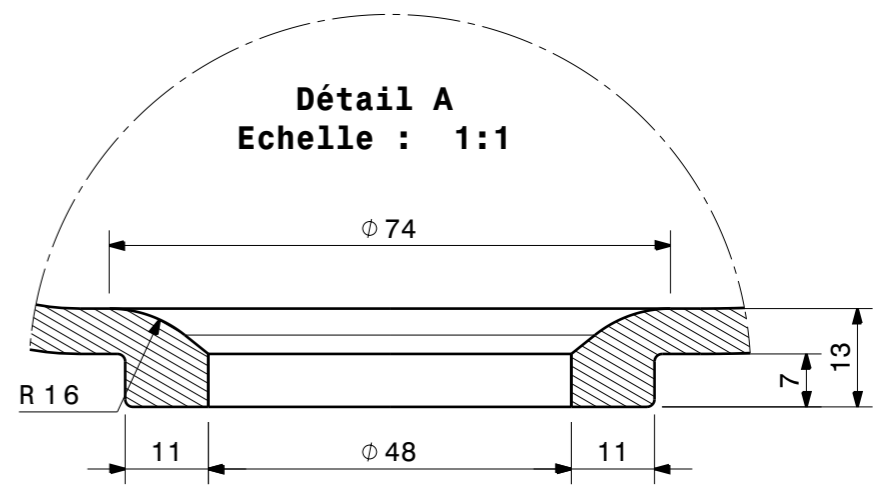
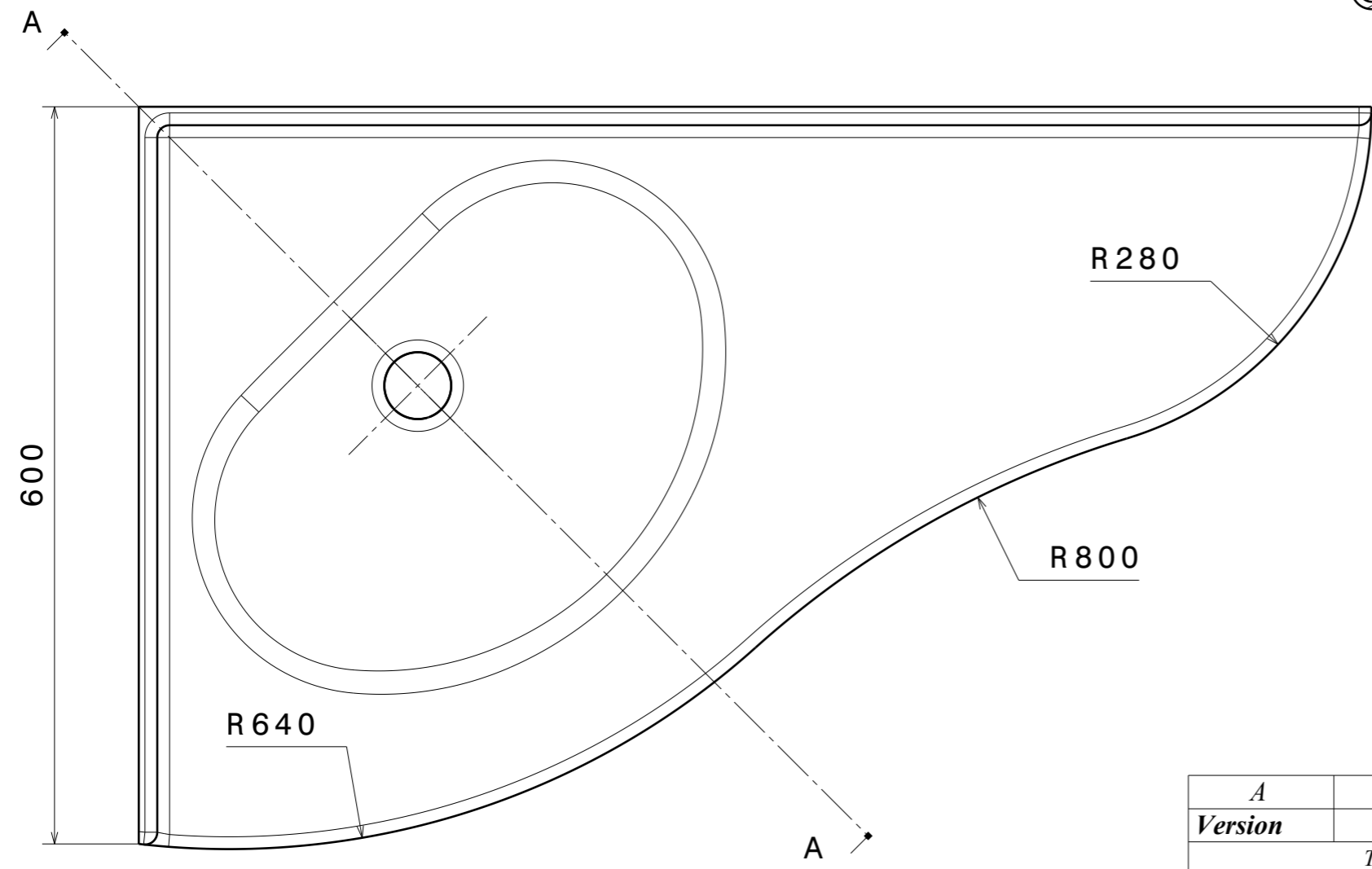
4



Coupe A-A



3



2

1

H G F E D C B A

A		10/05/2018		BRAHIM.J	
Version		Description		Date	
This drawing is our property, it can't be reproduced or communicated without our written agreement.					
Feuille: 1/1		Echelle: 1:2		A3	
Folio:		Tolérance générale: ± 2mm/m		Matière: GRP	
		Linéarité: ± 1mm/m		Masse: Mass:	
		Epaisseur: ± 1mm		Protection:	
		Ensemble: Set:		Sous-ensemble: Subset:	
		Pièce/Part:		Etabli par: BRAHIM.J	
		PMR LYON POINTE A DROITE Numéro du document/Drawing number:		Date: 10/05/2018	
		PMR LYON			

4

3

2

1